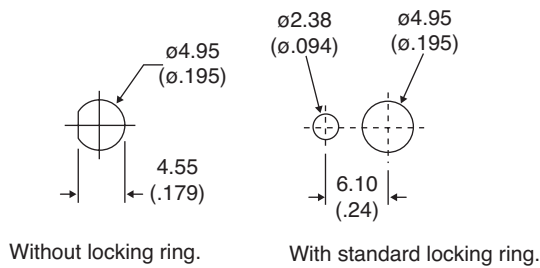
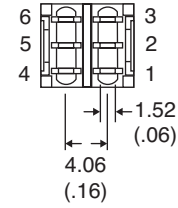
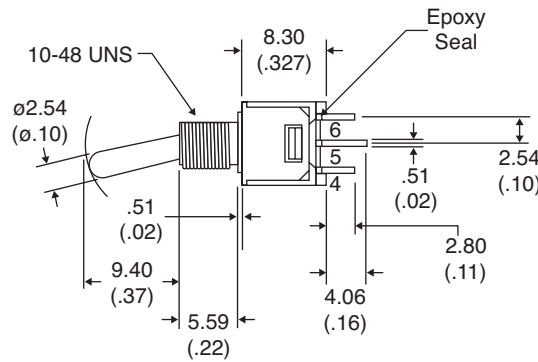
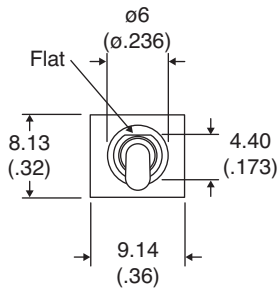
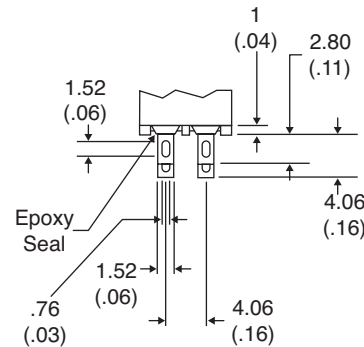


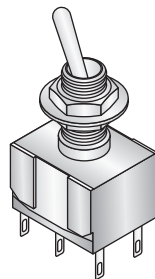
Dimensions: mm (in.)



PANEL MOUNTING



SOLDER LUG



POS.1	POS.2
ON	ON
2-3,5-6	2-1,5-4

Electrical Specifications:

- Contact Resistance: 20mΩ max. initial @ 2-4VDC 100mA
- Insulation Resistance: 1,000MΩ min.
- Dielectric Strength: 1,000 V RMS@ sea level.
- Rating:
 - 1A / 250 VAC
 - 3A / 120 VAC or 28 VDC

Mechanical Specifications:

- Operating Temperature: -30° C to +85° C

Materials:

- Case: Diallyl phthalate (DAP)
- Acuator: Brass, chrome plated
- Bushing: Brass, nickel plated
- Housing: Stainless steel
- Switch Support: Brass, tin plated
- Terminal/Contact: Brass, silver plated

Note:

- RoHS Compliant by Exemption

Toggle Switch
108-2MD1T1B1M1QE-EVX

